

FIG. 11

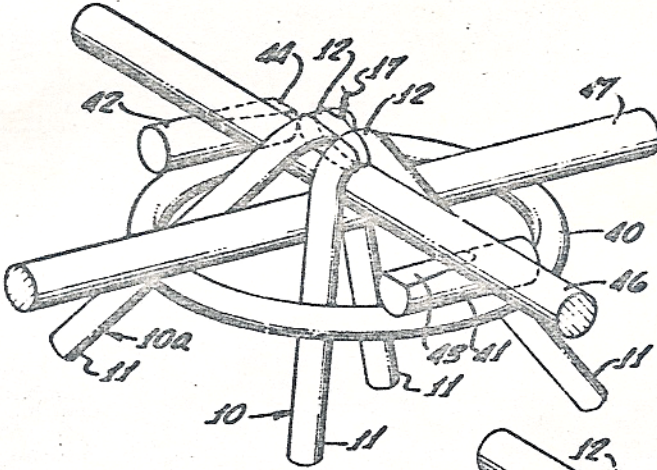


FIG. 12

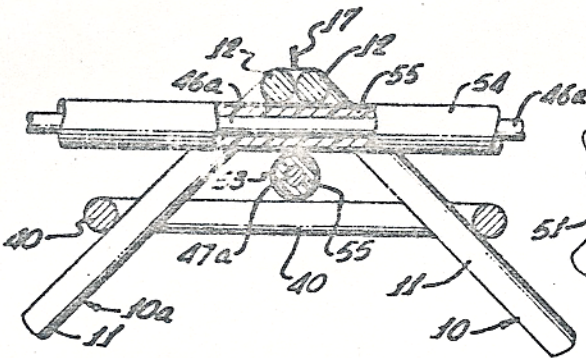
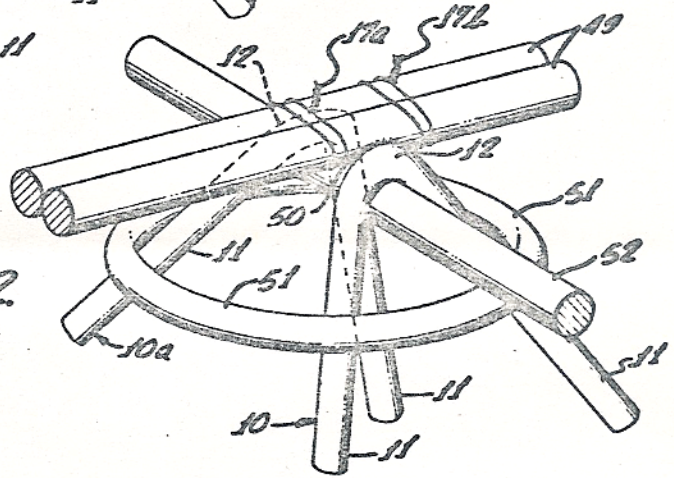


FIG. 13

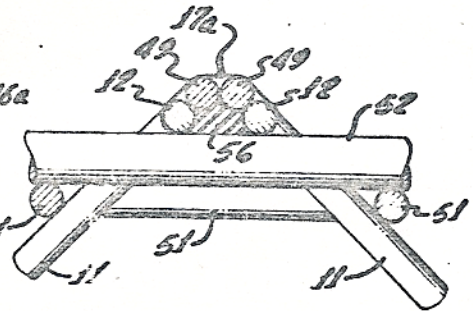


FIG. 14

INVENTOR
HANNS U. BAUMANN
BY *[Signature]*
ATTORNEYS.